

P03618

4550 / 3650 WATT RECOIL START
GAS PORTABLE GENERATOR
EPA AND CARB CERTIFIED

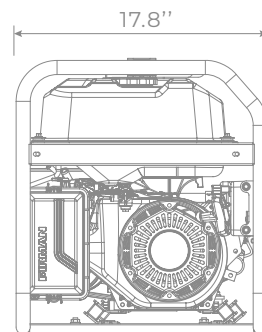
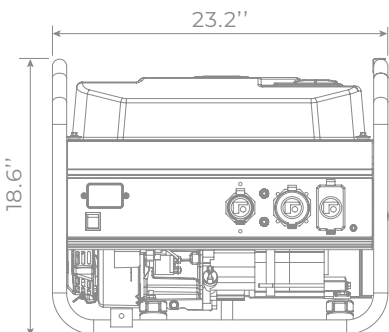
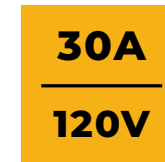
FIRMAN[®]
POWER EQUIPMENT

8716 WEST LUDLOW DR. SUITE #6
PEORIA, AZ 85381
1-844-347-6261
WWW.FIRMANPOWEREQUIPMENT.COM

UPC // 840876136188
STARTING WATTS // 4550
RUNNING WATTS // 3650
VOLTAGE // 120V
FREQUENCY // 60Hz
ENGINE TYPE // OHV
STARTING SYSTEM // RECOIL
FUEL TANK SIZE // 5.0 GAL
RUN-TIME // UP TO 14 HRS (@50% LOAD)
DECIBLES // 67 dB (@7m @50% LOAD)
CARTON L×W×H // 24" × 18.1" × 19.9"
GROSS WEIGHT // 110 LBS.
UNIT WEIGHT // 101.5 LBS.
UNITS PER PALLET // 16
UNITS PER CONTAINER // 336 / 40HQ

CONTROL PANEL

(2) 5-20R 20A-120V
(1) TT-30R 30A-120V RV READY
(1) L5-30R 30A-120V TWIST LOCK



BEST USED FOR





FIRMAN 3650

FIRMAN Digital Inverter 3650-W
DIGITAL
INVERTER
3650-W

4550 **3650**
STARTING WATTS
VATIOS DE ARRANQUE
POISSANCE DE DÉMARRAGE
RUNNING WATTS
VATIOS DE CONTINUOS
POISSANCE DE FONCTIONNEMENT

120VAC 20A

120VAC 30A RV

120VAC 30A

FIRMAN
SERIAL NUMBER
DATE OF MANUFACTURE
WARRANTY INFORMATION
SAFETY INFORMATION
OPERATING INSTRUCTIONS
SEE USER MANUAL FOR
OPERATING INSTRUCTIONS
SEE USER MANUAL FOR
OPERATING INSTRUCTIONS

FIRMAN
SF210180451057

SEE USER MANUAL FOR
OPERATING INSTRUCTIONS
SEE USER MANUAL FOR
OPERATING INSTRUCTIONS
SEE USER MANUAL FOR
OPERATING INSTRUCTIONS
SEE USER MANUAL FOR
OPERATING INSTRUCTIONS